



# AQUILON hexapod

Dynamic hexapod with very high amplitude



Symétrie

## KEY FEATURES

- Payload capacity 6 tons
- Linear travel range  $\pm 800$  mm
- Angular travel range  $\pm 40^\circ$



## APPLICATIONS

- Motion simulator
- Heavy payload positioner
- Swell simulator



Hexapod

AQUILON

for

sloshing

tests

Sloshing tests hexapod AQUILON with a 10T payload

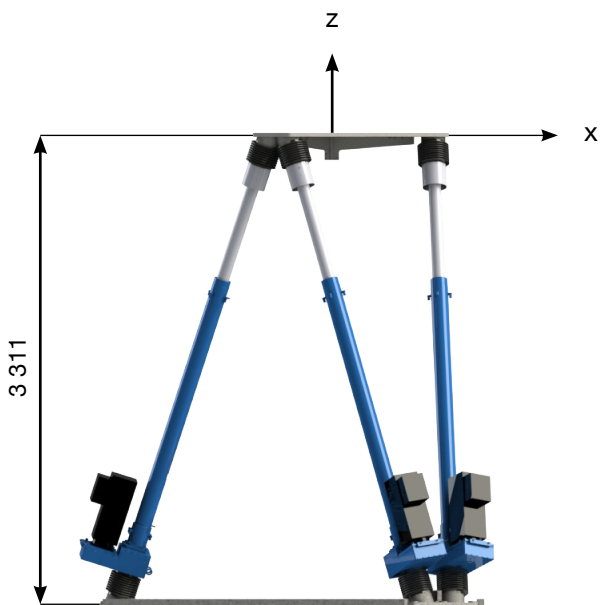


Symétrie

AQUILON	
<b>Motion and positioning</b>	
Travel range Tx, Ty (mm)	± 800
Travel range Tz (mm)	± 650
Travel range Rx, Ry, Rz (deg)	± 40
Speed Tx, Ty, (mm/s)	± 1 800
Speed Tz (mm/s)	± 1 600
Speed Rx, Ry (°/s)	± 200
Speed Rz (°/s)	± 100
Acceleration Tx, Ty, Tz (mm/s <sup>2</sup> )	7 000
Acceleration Rx, Ry, (°/s <sup>2</sup> )	1 200
Acceleration Rz (°/s <sup>2</sup> )	600
<b>Mechanical properties</b>	
Payload capacity (kg) (vertical orientation only)	6 000
Motor type	Brushless
<b>Miscellaneous</b>	
Operating temperature range (°C)	0 to + 50
Size mobile platform (mm)	Ø 2 100
Height in middle position (mm)	~ 3 311
Mass (kg)	~ 3 000
Cable length (m)	15
Options	IP 64 motor protection ATEX compatibility Acquisition and storage of motions API Customized platform design
<b>Controller</b>	
Interface	Ethernet
Power supply	380 VAC (three-phase) / 250 A

Datasheet subject to change without notice. All data are superseded by any new release. R181022

The performances are specified for single axis motions, with all other axes at midrange and for a rotation center in the middle of the mobile platform.



Hexapod in middle position

