

TECHNICAL SPECIFICATIONS BOTH AXIS	BlueLEVEL-2D
Sensitivity	1 µm/m 0.2 arcsec
Measuring range	±20 mm/m
Limits of error (DIN 2276/2)	$M_W \leq 0.5 M_E$ max. 1% M_W / min. 1 digit
	$M_W > 0.5 M_E$ max. 0.01 (2 M_W - 0.5 M_E)
Temperature error / °C (Ø 10 °C) (DIN 2276/2)	$M_W \leq 0.1 M_E$ max. 2 µm/m
	$M_W > 0.1 M_E$ max. 20 µm/m
Response time (DIN 2276/2)	< 5 sec
Digital output	RS232 / RS485, asynchronous, 7 DataBits, 2 StopBits, no parity, 9600 bps
Internal powering Optional	2 x Alkaline 1,5 V / Size C Batteries 2 x NiMH 1,2 V / Size C rechargeable Accumulators
External power supply	+ 5 V DC (USB) 24 V DC
Operating temperature	0 ... + 40 °C
Storage temperature (DIN 2276/2)	- 30 ... + 70 °C
Net weight, including batteries (BlueLEVEL-2D without measuring base)	1600 g
Dimension housing L x W x H	127 mm x 110 mm x 56 mm
Radio frequency range (Bluetooth®)	2,4000 ... 2,4835 GHz (ISM Band)
CE-conformity	This device conforms to the most stringent requirements of the relevant standards and regulations
Legend:	
M_E = full-scale	
M_W = measured value	



BlueLEVEL-2D

IN ITS HIGHEST PRECISION



FEEL DIMENSIONS



wyler@wylerag.com



Videos WYLER AG
Quality - Innovation - Service



Facebook Channel WYLER AG
www.facebook.com/wylerSWISS

WYLER AG
INCLINATION MEASURING SYSTEMS

NEIGUNGSMESSSYSTEME

Im Hölzli 13,
Tel. +41 (0) 52 233 66 66
E-Mail: wyler@wylerag.com

CH - 8405 WINTERTHUR (Switzerland)
Fax +41 (0) 52 233 20 53
Web: www.wylerag.com



Think simple 2D

Pure speed in 2D



BlueLEVEL-2D

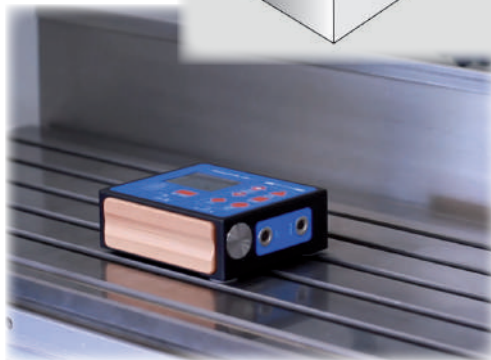
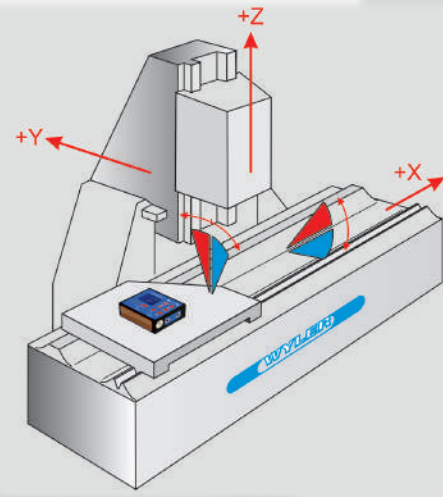
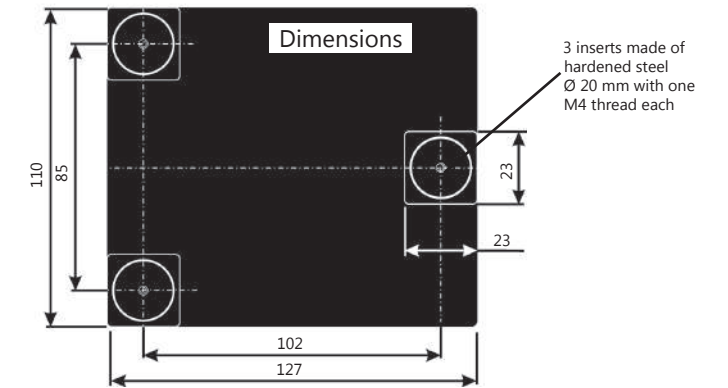
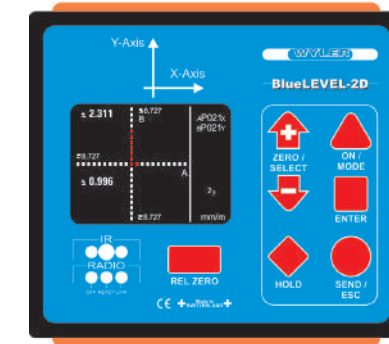
The BlueLEVEL-2D combines for the first time two high-precision inclination sensors in a compact housing together with an integrated graphical display!

The BlueLEVEL-2D facilitates the alignment of machines and tools substantially and opens new applications:

- Alignment of machines in 2 directions simultaneously
- Alignment of reference plates
- Pitch and roll measurement on machines
- Monitoring of cranes, containers, trucks etc.

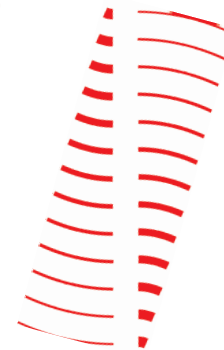
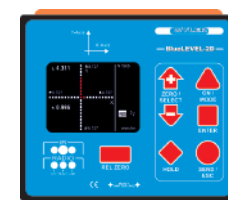
Features:

- Rugged, rust-protected housing made of aluminum
- High precision base with three inserts made of hardened steel
- All current units can be indicated
- The instrument is compatible with the BlueSYSTEM series
- The internal software allows a simple zero setting, together with a reversal measurement



Compact tool case

The perfect tool for service engineers



Possible configuration



Options:

- External power supply 24V
- Wireless communication, based on Bluetooth® technology
- Connection to a PC
- Software to collect measuring data: wylersPEC, wylersDYNAM and wylersINSERT
- Screw-on base on request



Graphical display

The display shows graphically in 2D the position of an object in space, respectively the change of its position and makes the information easily understandable.

