



NOTUS hexapod

Dynamic compact hexapod



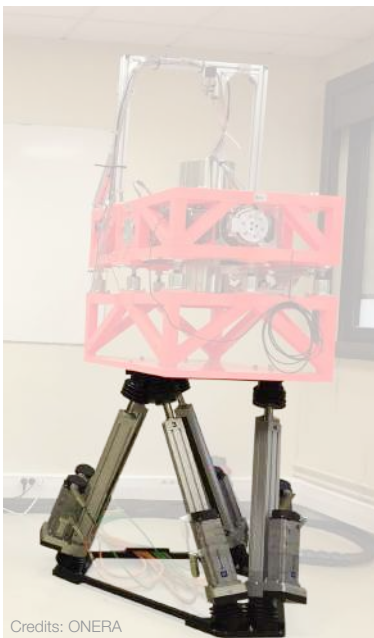
KEY FEATURES

- Payload capacity 200 kg
- Linear travel range ± 250 mm
- Angular travel range $\pm 25^\circ$
- Compact



APPLICATIONS

- Motion simulator
- Naval
- Swell simulator
- Biomedical
- Defense
- Optics



Credits: ONERA

NOTUS enables testing the gyroscopic platform of a cold atom gravimeter that will be later installed on a ship by ONERA. The hexapod reproduces the swell motions and the ship vibrations.



NOTUS hexapod allows to test the stabilization system of a camera that can be later installed on a tank, a truck or a boat.



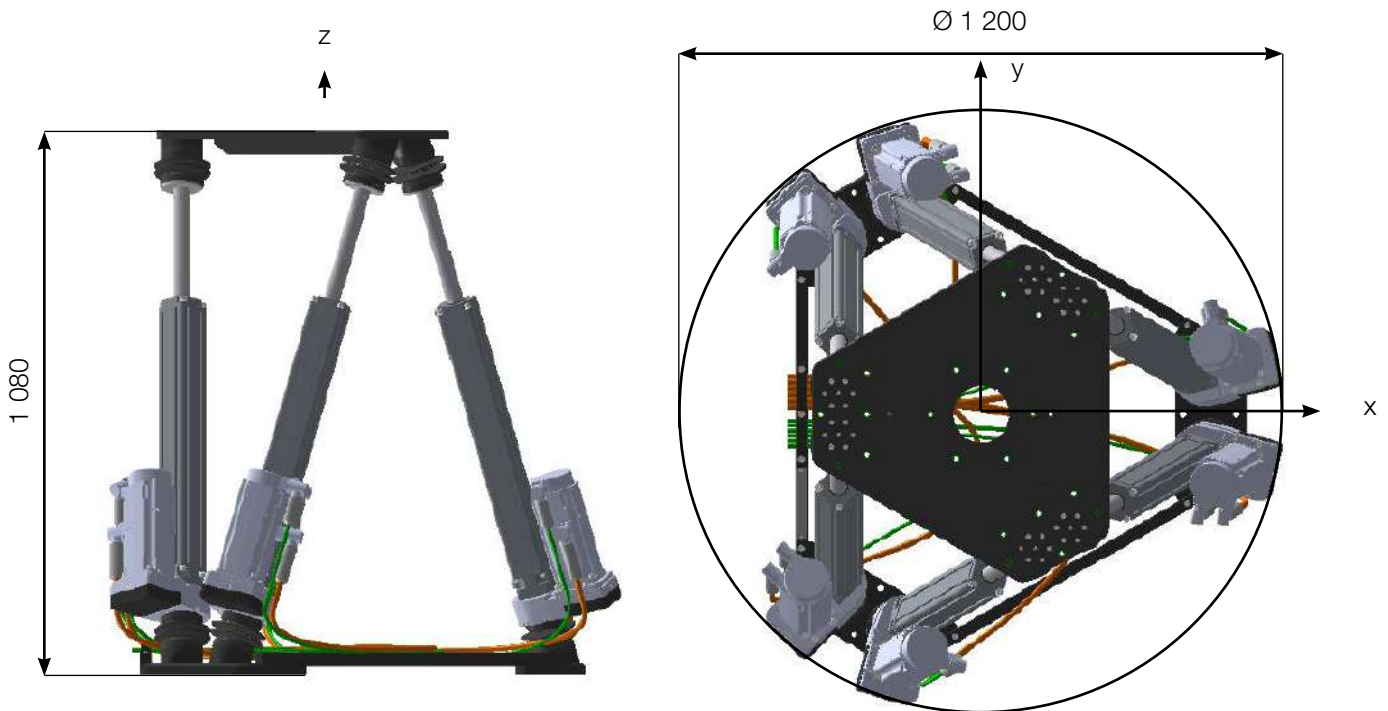
Credits: SPHEREA Test & Services

NOTUS hexapod helps to characterize and calibrate electro-optics gimbals that will be later installed on helicopters.

	NOTUS P	NOTUS V
	for 200 kg payload	for 100 kg payload
Motion and positioning		
Travel range Tx, Ty (mm)	± 250	± 250
Travel range Tz (mm)	± 200	± 200
Travel range Rx, Ry (deg)	± 25	± 25
Travel range Rz (deg)	± 30	± 30
Speed Tx, Ty, (mm/s)	± 800	± 1 200
Speed Tz (mm/s)	± 300	± 600
Speed Rx, Ry, Rz (°/s)	± 50	± 100
Acceleration Tx, Ty (mm/s ²)	10 000	10 000
Acceleration Tz (mm/s ²)	6 000	10 000
Acceleration Rx, Ry, Rz (°/s ²)	500	1 000
Mechanical properties		
Payload capacity (kg) (vertical orientation only)	200	100
Motor type	Brushless	Brushless
Miscellaneous		
Operating temperature range (°C)	0 to + 50	0 to + 50
Size mobile platform (mm)	Ø 660	Ø 660
Height in middle position (mm)	~1 080	~1 080
Mass (kg)	~ 120	~ 120
Cable length (m)	7	7
Options	IP 64 motor protection Acquisition and storage of motions API Customized platform design	
Controller		
Interface	Ethernet	
Power supply	400 VAC (three-phase) / 16 A / 50-60 Hz	

Datasheet subject to change without notice. All data are superseded by any new release. R210428

The performances are specified for single axis motions, with all other axes at midrange and for a rotation center in the middle of the mobile platform.



Hexapod in middle position